

Components

Part #	Quantity	Description	Length(X)	Width(Y)	Thickness(Z)	Board Foot (per)	Board Foot (total)	Total Length (feet)	Material
C-1	2	Center Trim Board	40.9375"	3.7500"	0.7500"	0.8	1.6	6.82	Maple Solid Wood
C-2	1	Center Trim Board S	16.5000"	3.7500"	0.7500"	0.322	0.322	1.38	Maple Solid Wood
C-3	5	Corner Support Board	48.0000"	1.5000"	0.7500"	0.375	1.875	20	Maple Solid Wood
C-4	1	Corner Support Board back	47.0000"	1.5000"	0.7500"	0.367	0.367	3.92	Maple Solid Wood
C-5	1	Corner Support Board back	21.7500"	1.5000"	0.7500"	0.17	0.17	1.81	Maple Solid Wood
C-6	1	Corner Support Board back	19.5000"	1.5000"	0.7500"	0.152	0.152	1.63	Maple Solid Wood
C-7	6	Outter Frams L	98.0000"	3.7500"	0.7500"	1.914	11.484	49.02	Maple Solid Wood
C-8	4	Outter Frams M	48.4375"	3.7500"	0.7500"	0.946	3.784	16.16	Maple Solid Wood
C-9	2	Outter Frams S	24.0000"	3.7500"	0.7500"	0.469	0.938	4	Maple Solid Wood
C-10	1	Top Corner Support Board	48.0000"	3.7500"	0.7500"	0.938	0.938	4	Maple Solid Wood

Total Component Board Foot
21.63

Component Materials

Material	Board Foot
Maple Solid Wood	21.63

Sheet Goods

Part #	Quantity	Description	Length(X)	Width(Y)	Thickness(Z)	Square Foot (per)	Square Foot (total)	Total Length (feet)	Material
S-1	1	Back Sheet	96.0000"	22.5000"	0.4375"	15	15	8	OSB Sheet
S-2	1	Back Sheet Fill	22.5000"	2.0000"	0.4375"	0.313	0.313	1.88	OSB Sheet
S-8	3	Side Sheet	96.0000"	48.0000"	0.4375"	32	96	24	OSB Sheet
S-9	3	Side Sheet Top Fill	48.0000"	2.0000"	0.4375"	0.667	2.001	12	OSB Sheet
S-3	1	Base Sheet Bottom	49.1875"	24.0000"	0.5000"	8.198	8.198	4.1	1/2 BB Plywood Sheet
S-4	2	Base Sheet Wheel Board	49.1875"	24.0000"	0.5000"	8.198	16.396	8.2	1/2 BB Plywood Sheet
S-7	2	Shelf	48.0000"	10.6250"	0.7500"	3.542	7.084	8	3/4 Cabinet Plywood Sheet
S-5	4	Peg Board Sides	45.3750"	42.9375"	0.1875"	13.53	54.12	15.12	Peg Board Sheet
S-6	2	Peg Board back	45.3750"	18.5000"	0.1875"	5.829	11.658	7.56	Peg Board Sheet

Total Sheet Square Feet
210.77

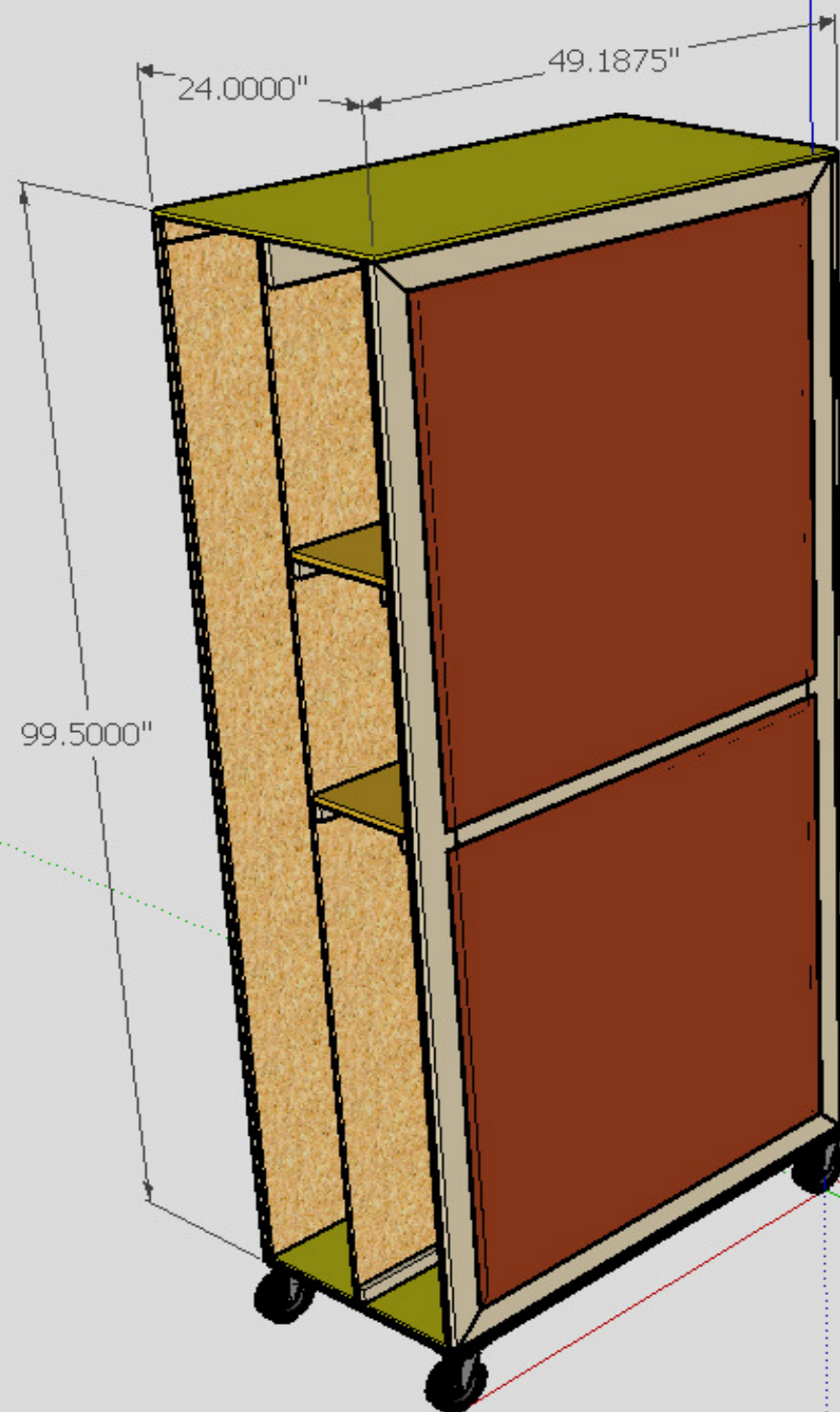
Sheet Materials

Material	Board Foot
OSB Sheet	113.314
1/2 BB Plywood Sheet	24.594
Peg Board Sheet	65.778
3/4 Cabinet Plywood Sheet	7.084

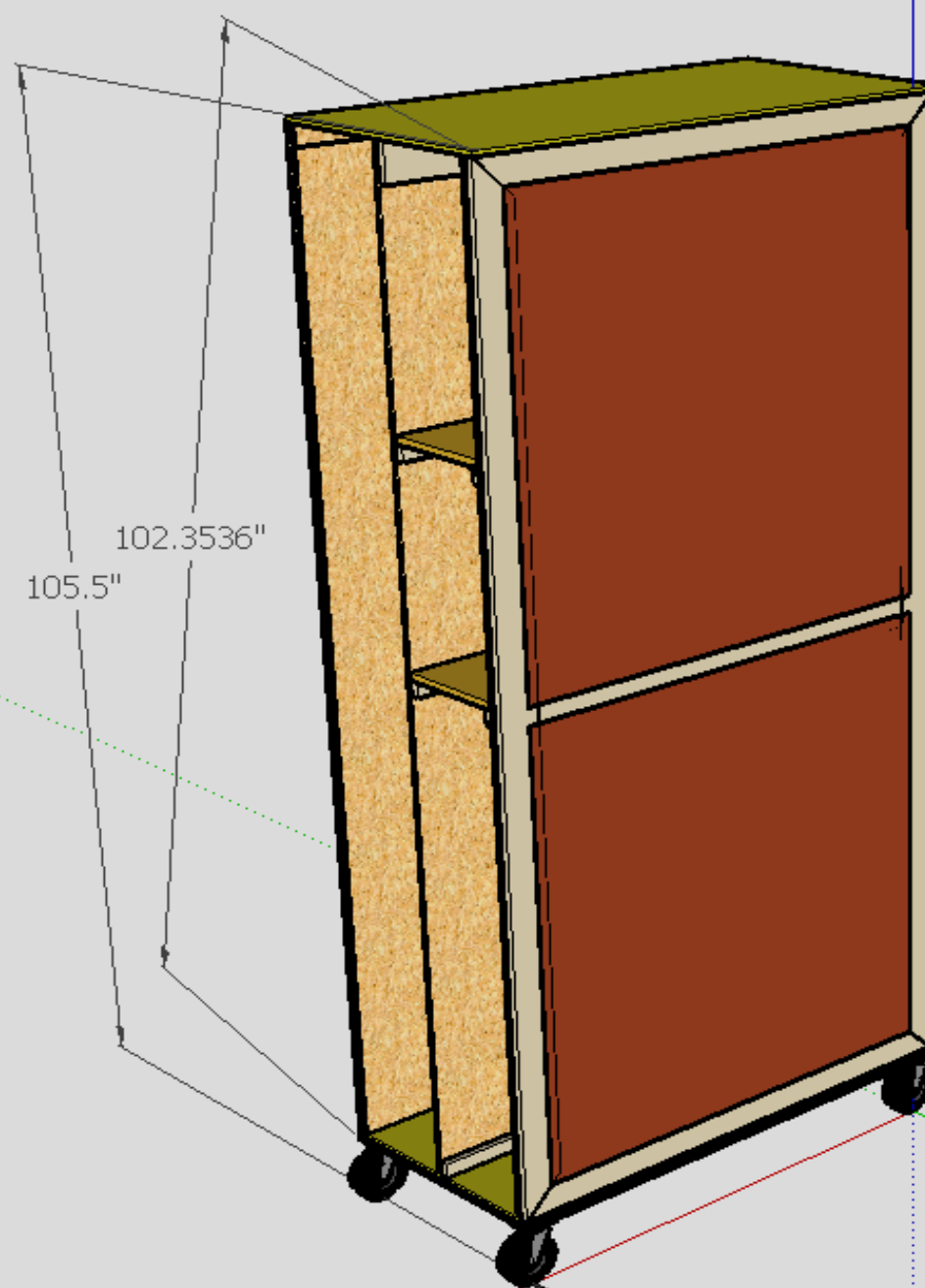
Other Parts

Part #	Quantity	Description
P-1	4	5" Caster Wheet (part)

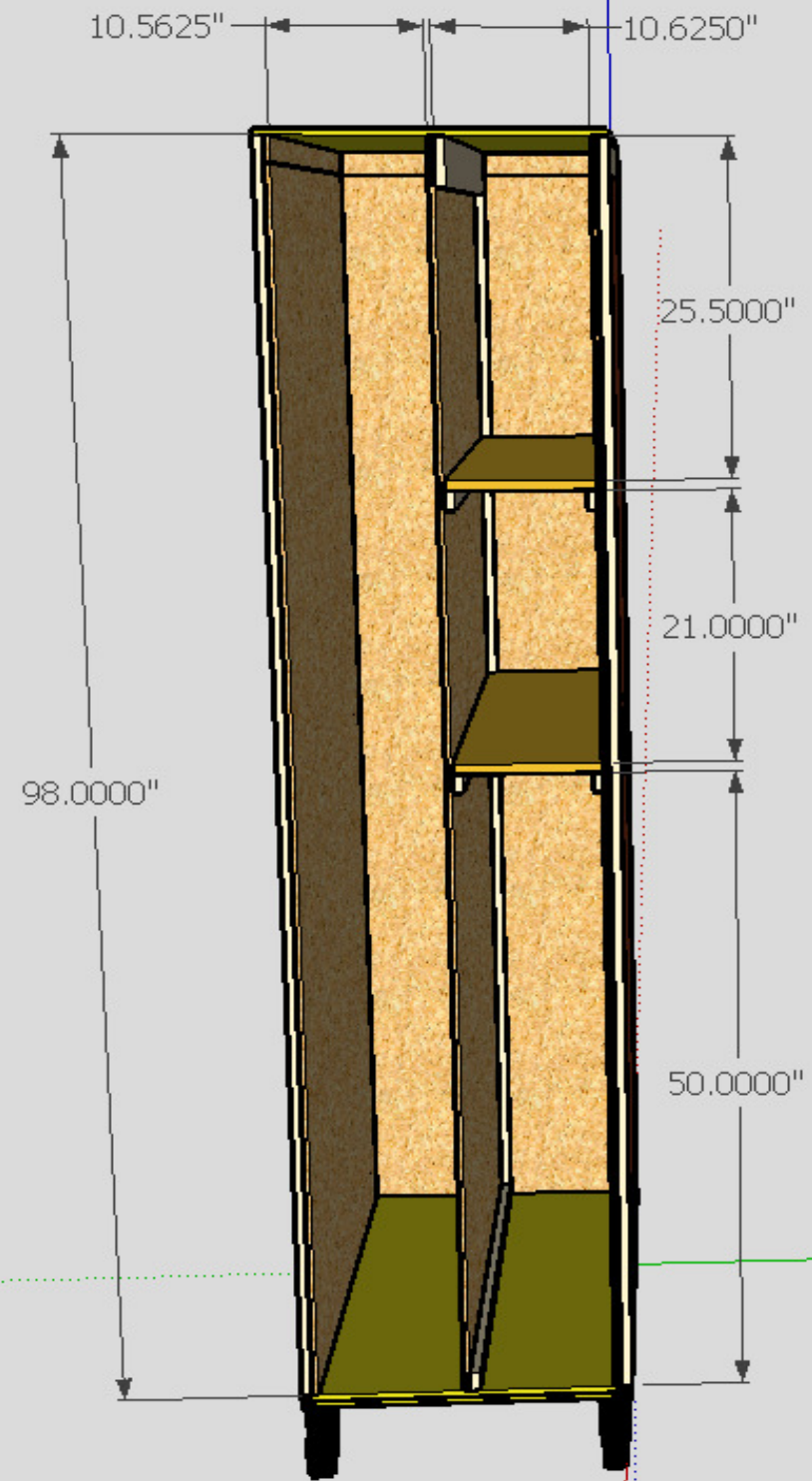
Sheet Rack
By GME
03-07-08
Rev 1-a



Sheet Rack
By GME
03-07-08
Rev 1-a

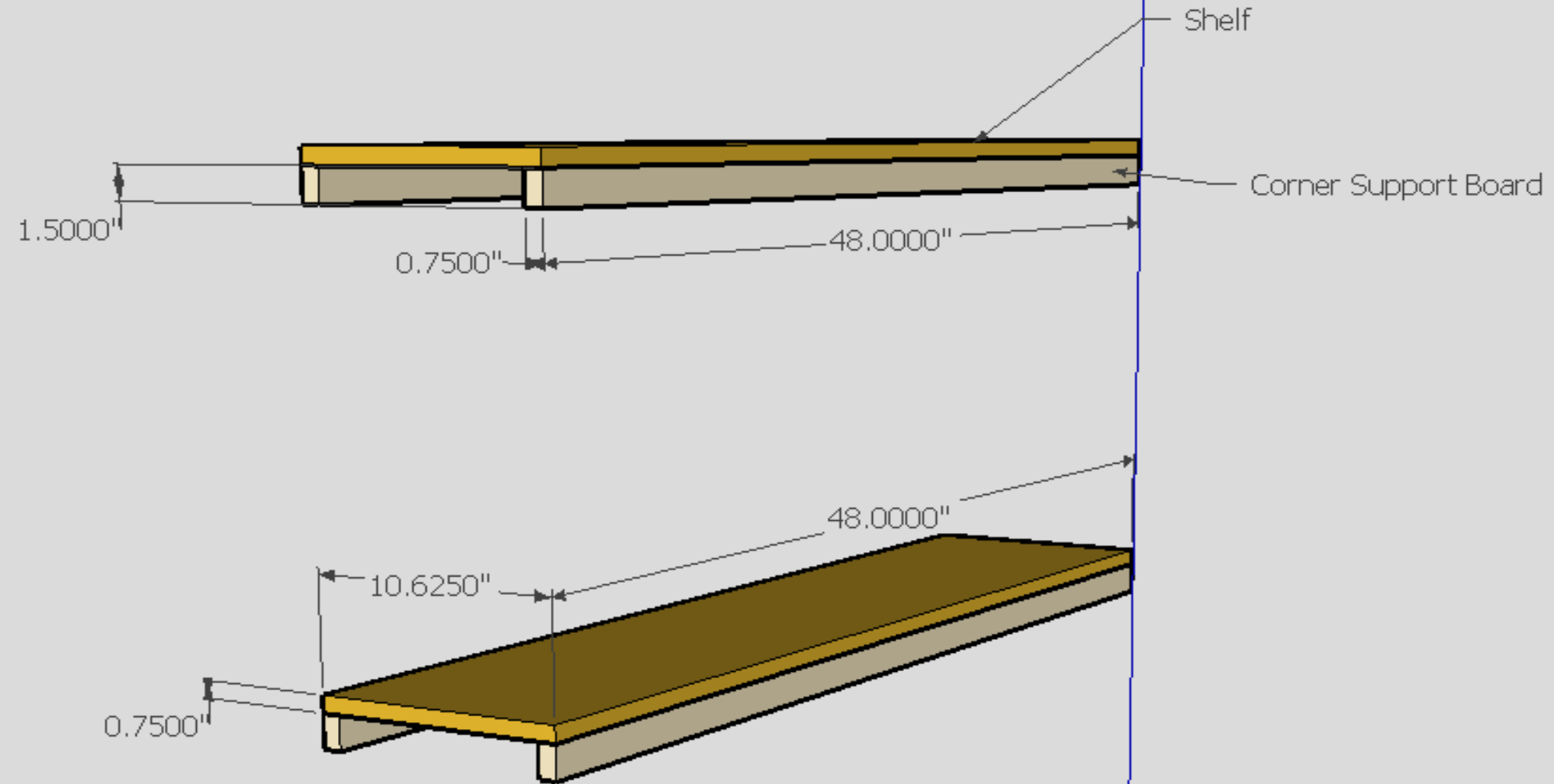


Sheet Rack
By GME
03-07-08
Rev 1-a

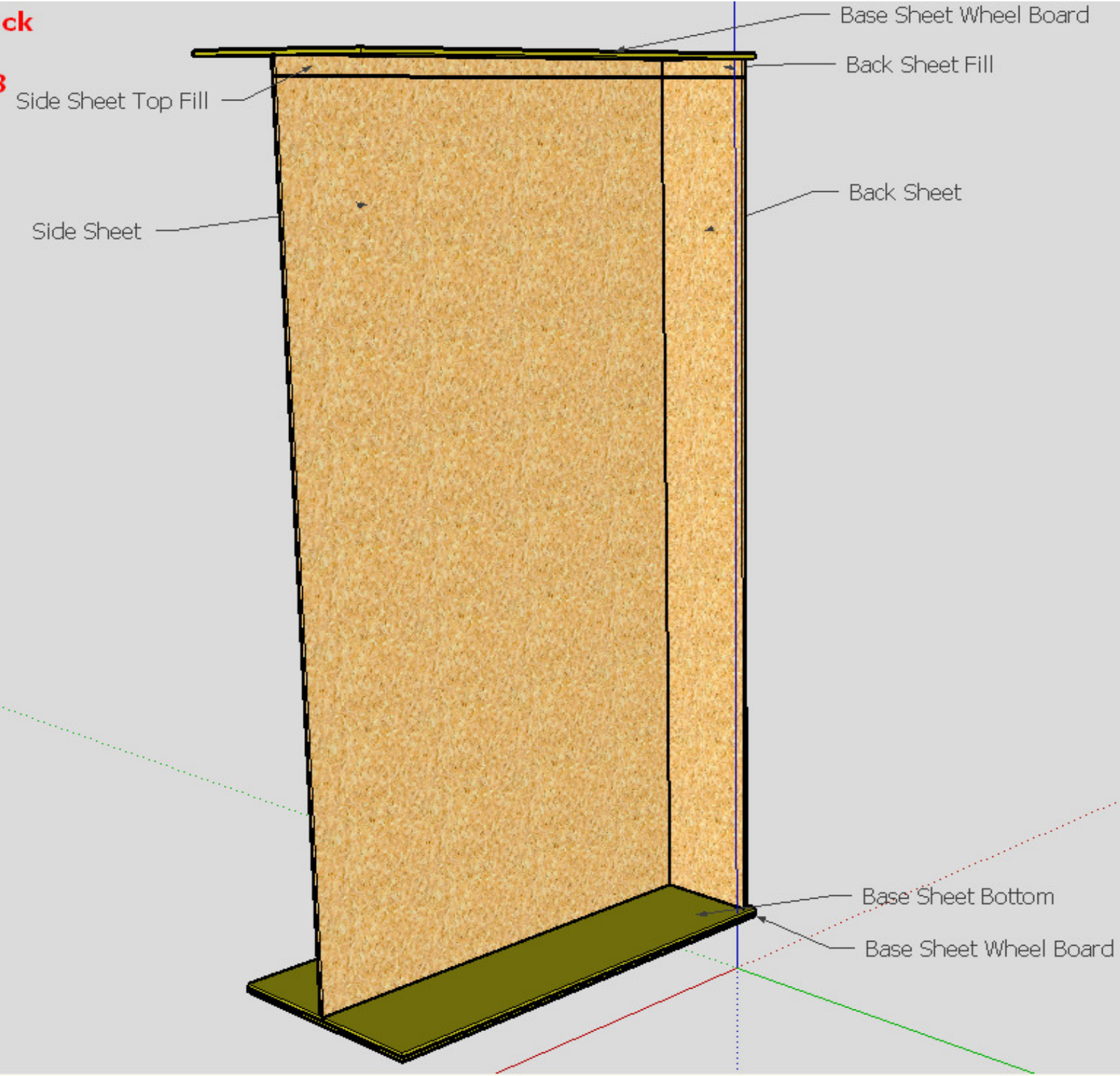


Sheet Rack
By GME
03-07-08
Rev 1-a

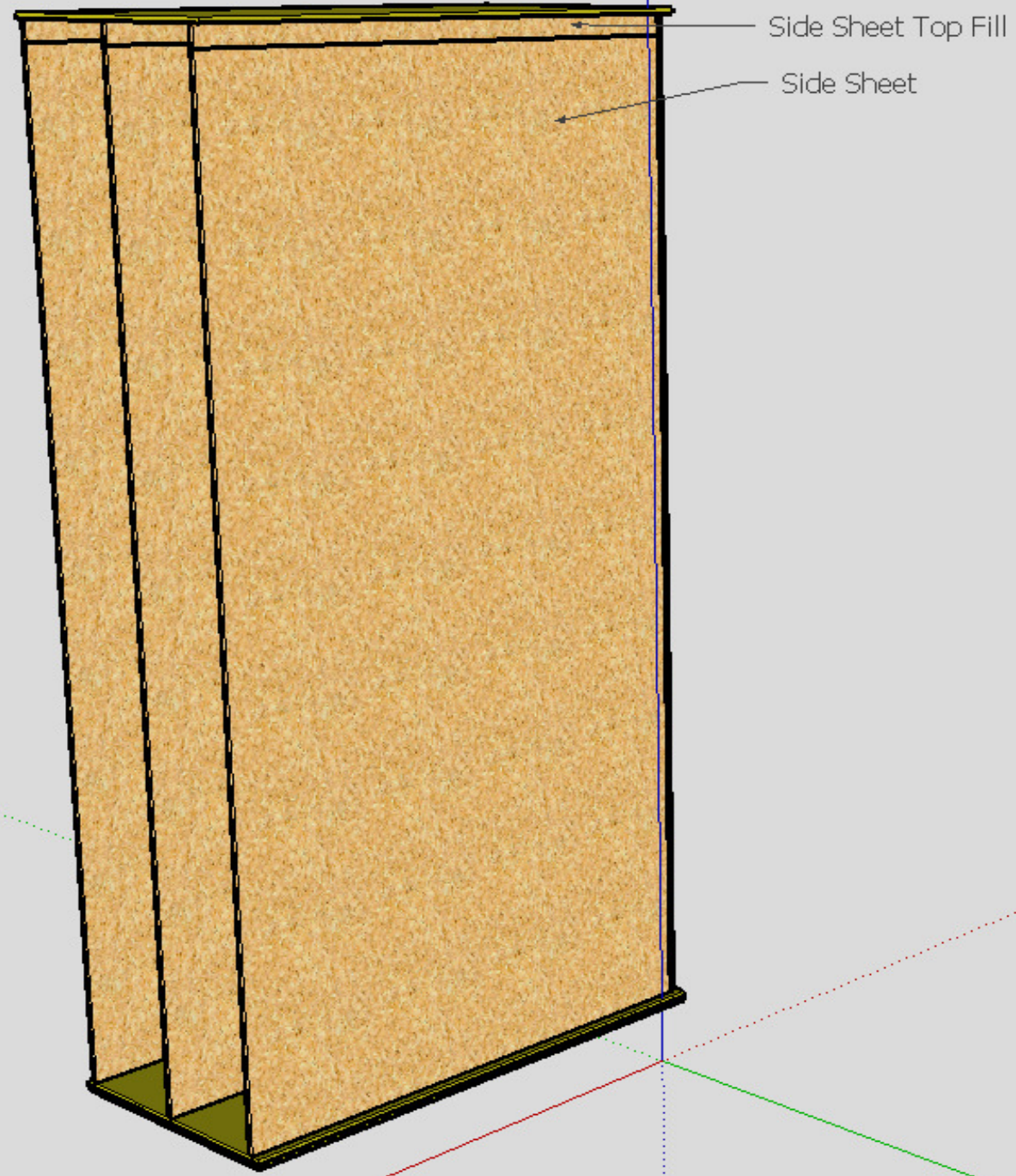
Layers



Sheet Rack
By GME
03-07-08
Rev 1-a

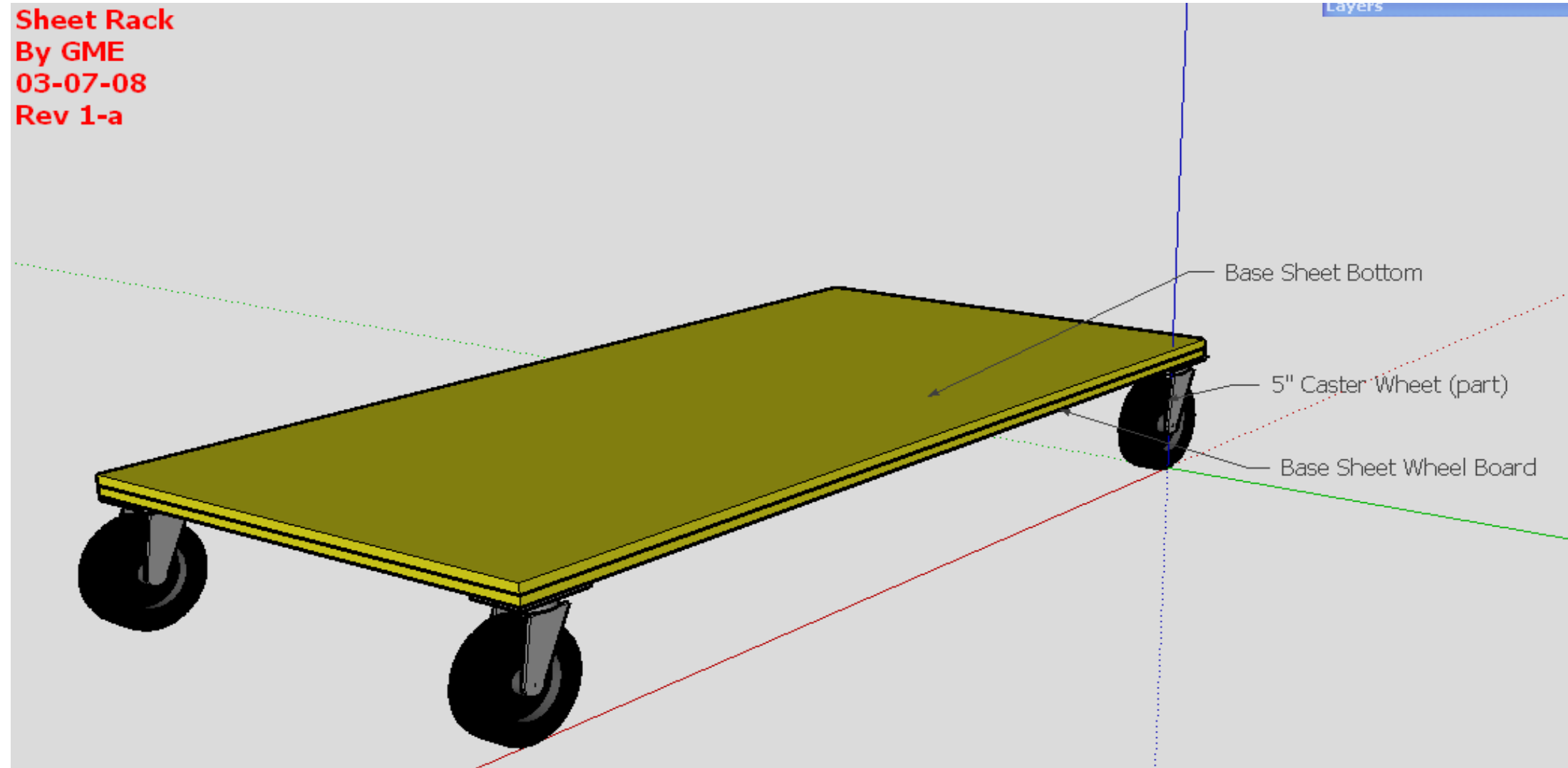


Sheet Rack
By GME
03-07-08
Rev 1-a



Sheet Rack
By GME
03-07-08
Rev 1-a

Layers

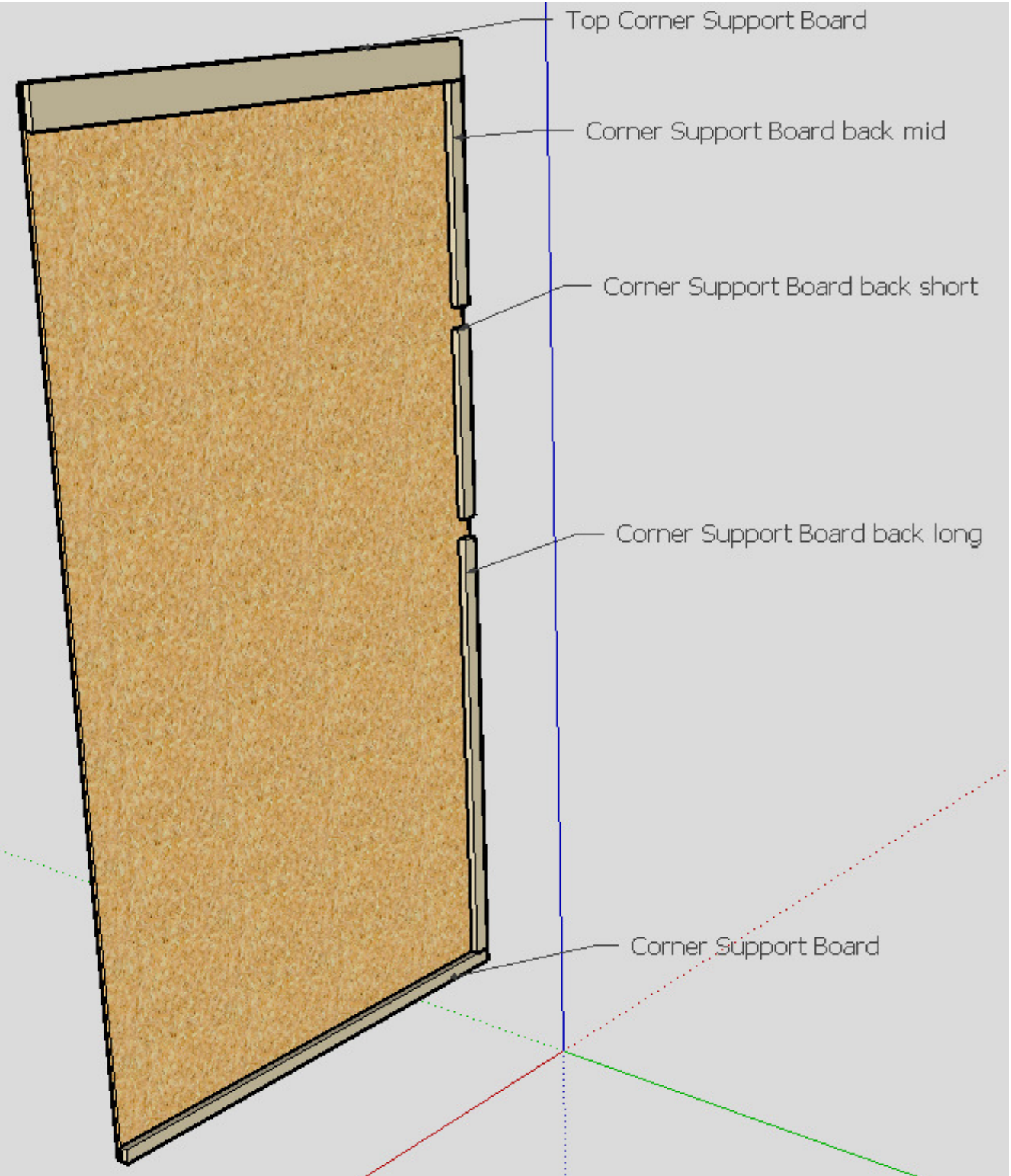


Base Sheet Bottom

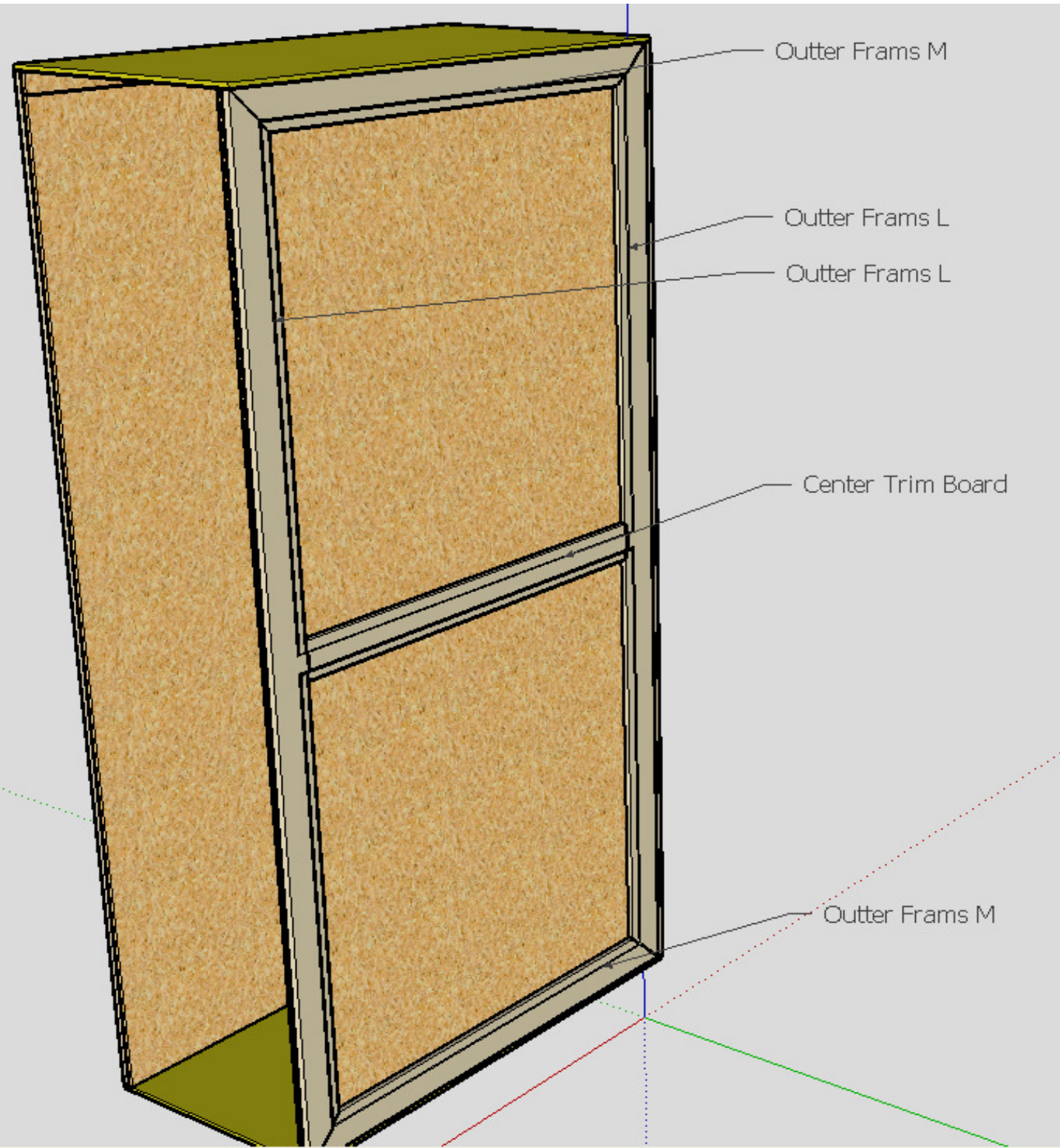
5" Caster Wheel (part)

Base Sheet Wheel Board

Sheet Rack
By GME
03-07-08
Rev 1-a



Sheet Rack
By GME
03-07-08
Rev 1-a



Sheet Rack
By GME
03-07-08
Rev 1-a

