

Components

Part #	Quantity	Description	Length(X)	Width(Y)	Thickness(Z)	Board Foot (per)	Board Foot (total)	Total Length (feet)	Material
C-1	2	Handle Stop	1.7500"	1.0000"	1.0000"	0.012	0.024		0.3 Maple Solid Wood

Total Component Board Foot  
0.024

Component Materials

Material	Board Foot
Maple Solid Wood	0.024

Sheet Goods

Part #	Quantity	Description	Length(X)	Width(Y)	Thickness(Z)	Square Foot (per)	Square Foot (total)	Total Length (feet)	Material	SH#	Weight (per sq ft)	Piece weight
S-1	1	Back	38.0000"	22.7500"	0.7500"	6.003	6.003	3.17	MDF Sheet	1	2.8	8.876
S-7	2	Drawer Gide	28.0000"	1.5000"	0.7500"	0.292	0.584	4.66	MDF Sheet	1,1	2.8	13.048
S-9	1	Foot Back	22.2500"	1.0000"	0.7500"	0.155	0.155	1.85	MDF Sheet	1	2.8	5.18
S-10	1	Foot Front	22.2500"	1.7500"	0.7500"	0.27	0.27	1.85	MDF Sheet	1	2.8	5.18
S-11	2	Foot Side	25.2500"	1.0000"	0.7500"	0.175	0.35	4.2	MDF Sheet	1,1	2.8	11.76
S-12	3	Horz Supports	28.2500"	22.7500"	0.7500"	4.463	13.389	7.05	MDF Sheet	1,1,1	2.8	19.74
S-14	3	Shelf -1	28.0000"	22.0000"	0.7500"	4.278	12.834	6.99	MDF Sheet	2,2,3	2.8	19.572
S-15	1	Side Left	38.0000"	28.7500"	0.7500"	7.587	7.587	3.17	MDF Sheet	2	2.8	8.876
S-16	1	Side Right	38.0000"	28.7500"	0.7500"	7.587	7.587	3.17	MDF Sheet	2	2.8	8.876
S-2	2	Caster Block Back	5.7500"	2.5000"	0.7500"	0.1	0.2	0.96	3/4 Cabinet Plywood Sheet		2.34375	2.25
S-3	2	Caster Block Base	4.5000"	4.0000"	0.7500"	0.125	0.25	0.76	3/4 Cabinet Plywood Sheet		2.34375	1.78125
S-4	4	Caster Block Side	5.7500"	4.5000"	0.7500"	0.18	0.72	1.92	3/4 Cabinet Plywood Sheet		2.34375	4.5
S-13	2	Lift Handle	28.5000"	3.0000"	0.7500"	0.594	1.188	4.76	3/4 Cabinet Plywood Sheet		2.34375	11.15625
S-5	1	Drawer Bottom	26.7500"	21.1250"	0.2500"	3.924	3.924	2.23	1/2 BB Plywood Sheet		0.78125	1.7421875
S-6	2	Drawer Front	21.6250"	3.7500"	0.5000"	0.563	1.126	3.6	1/2 BB Plywood Sheet		1.5625	5.625
S-8	2	Drawer Side	27.7500"	3.7500"	0.5000"	0.723	1.446	4.62	1/2 BB Plywood Sheet		1.5625	7.21875

Total Sheet Square Feet  
57.613

135.381438

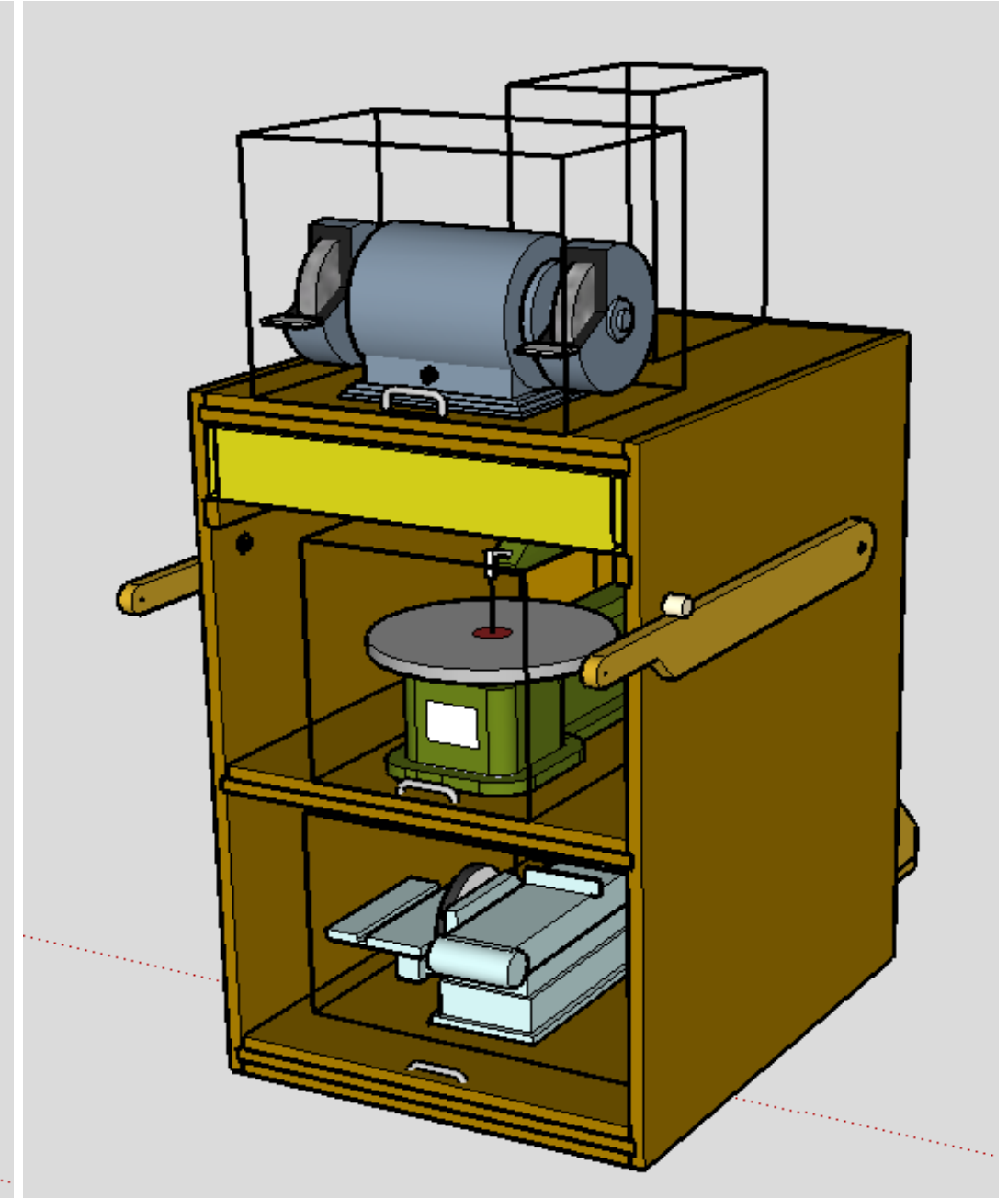
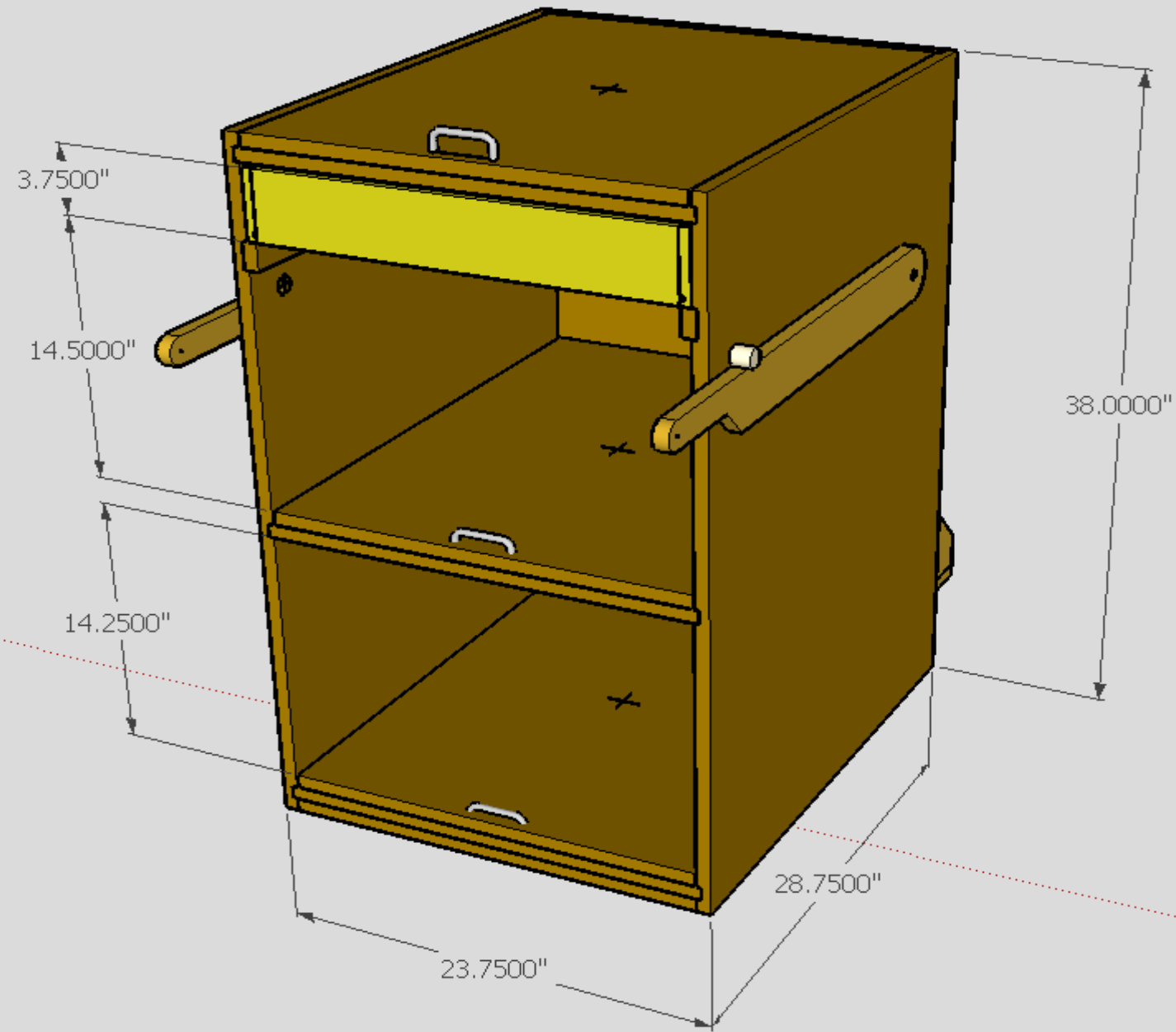
Sheet Materials

Material	Board Foot
MDF Sheet	48.759
3/4 Cabinet Plywood Sheet	2.358
1/2 BB Plywood Sheet	6.496

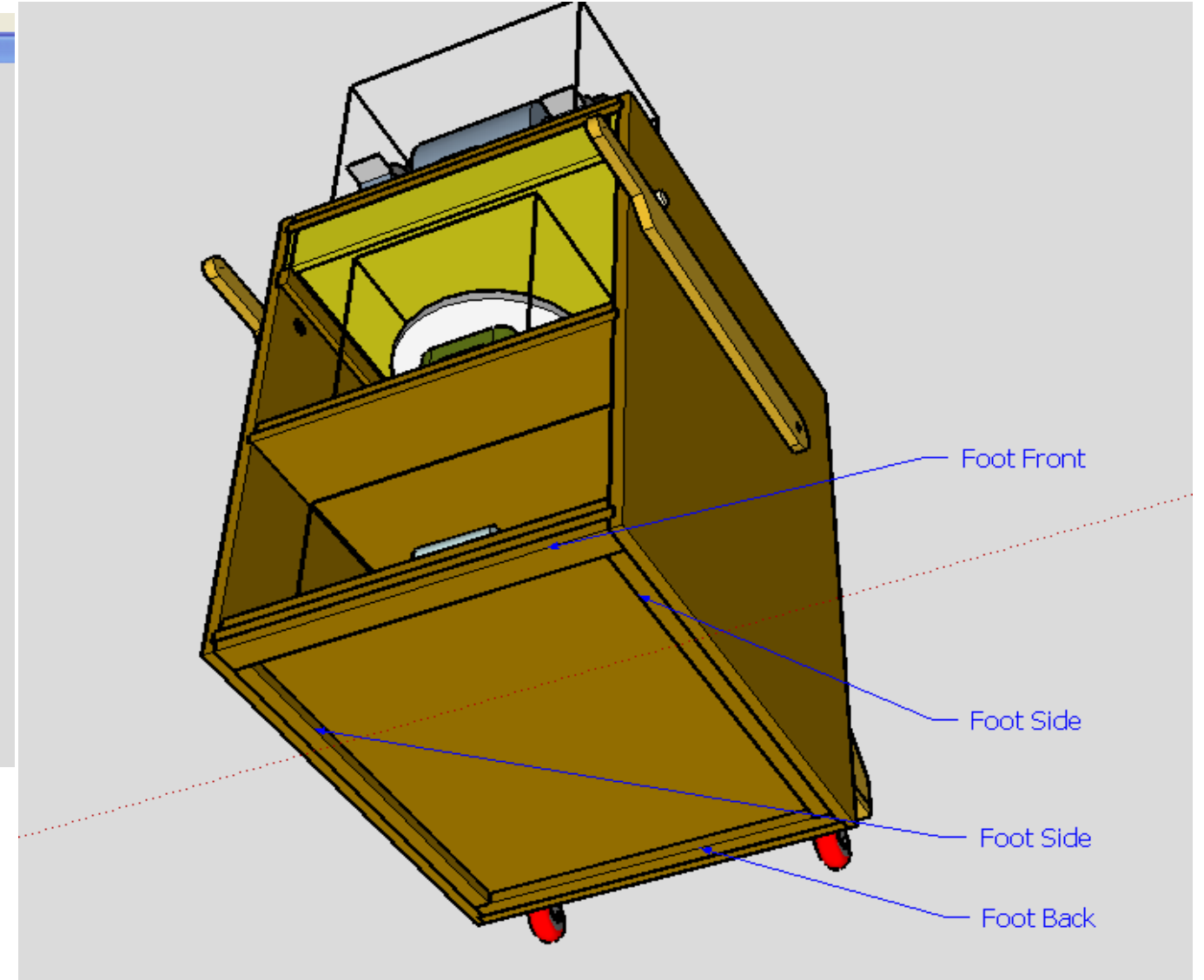
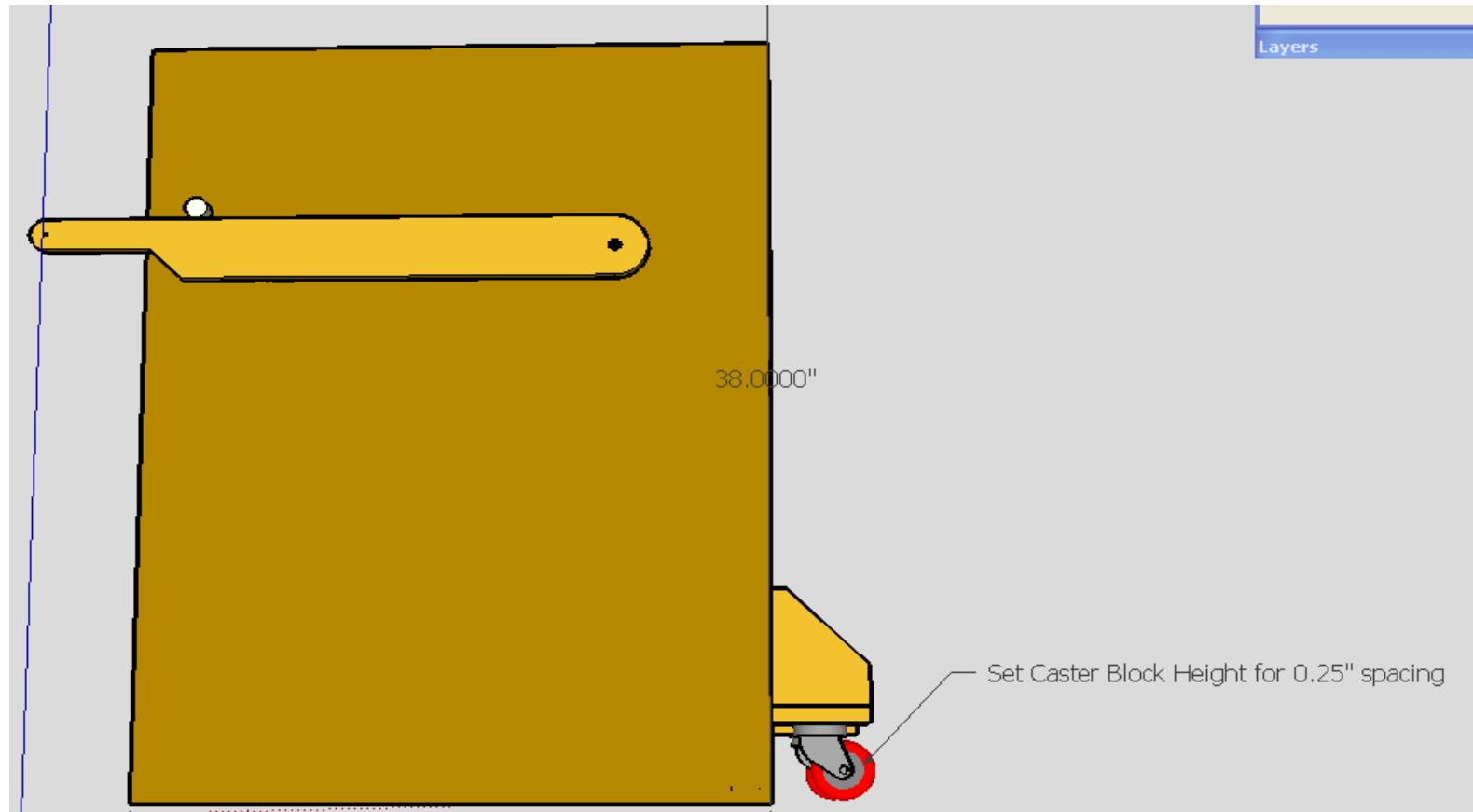
Other Parts

Part #	Quantity	Description
--------	----------	-------------

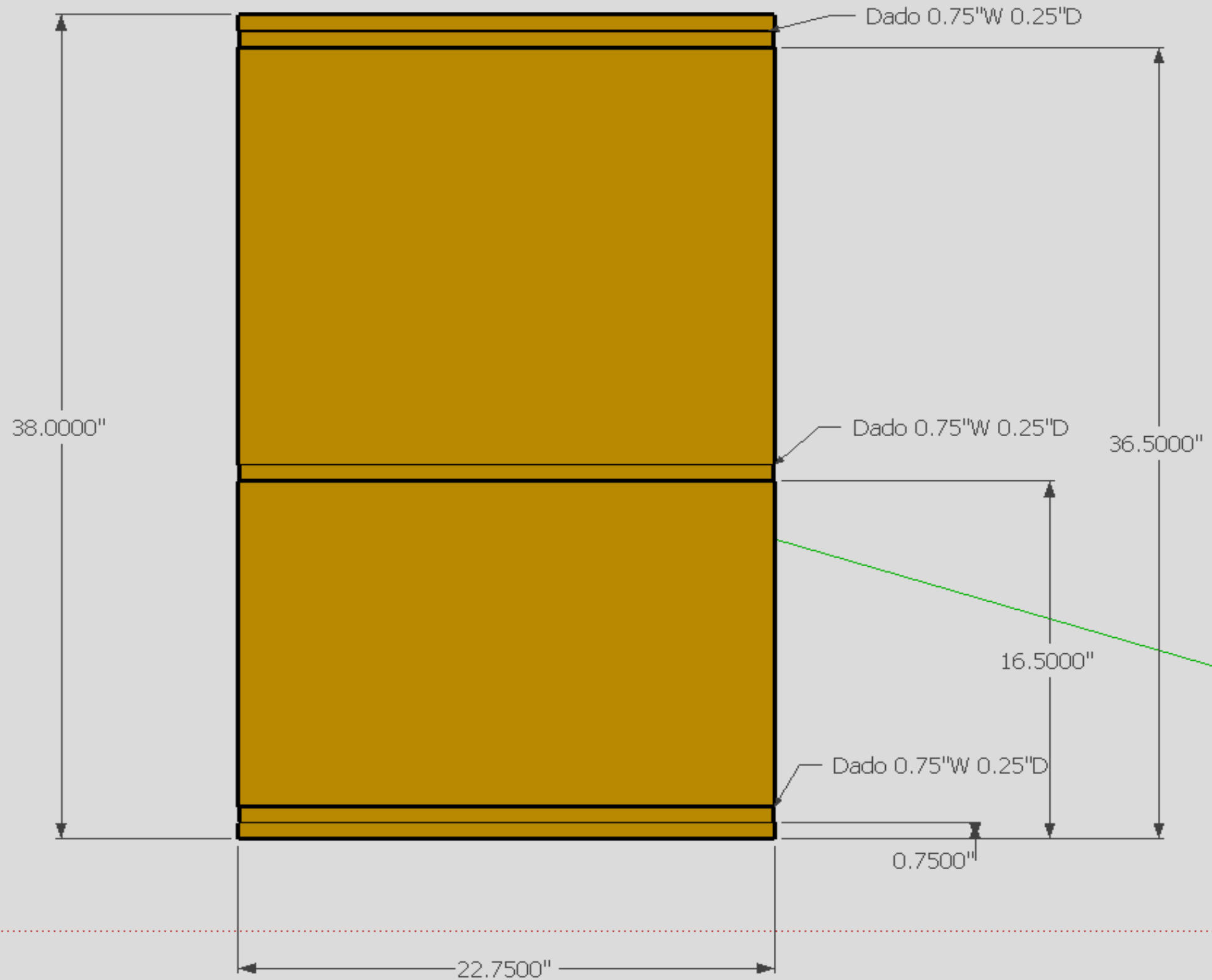
Tool Stand  
By GME  
04-22-2009  
Rev 0D



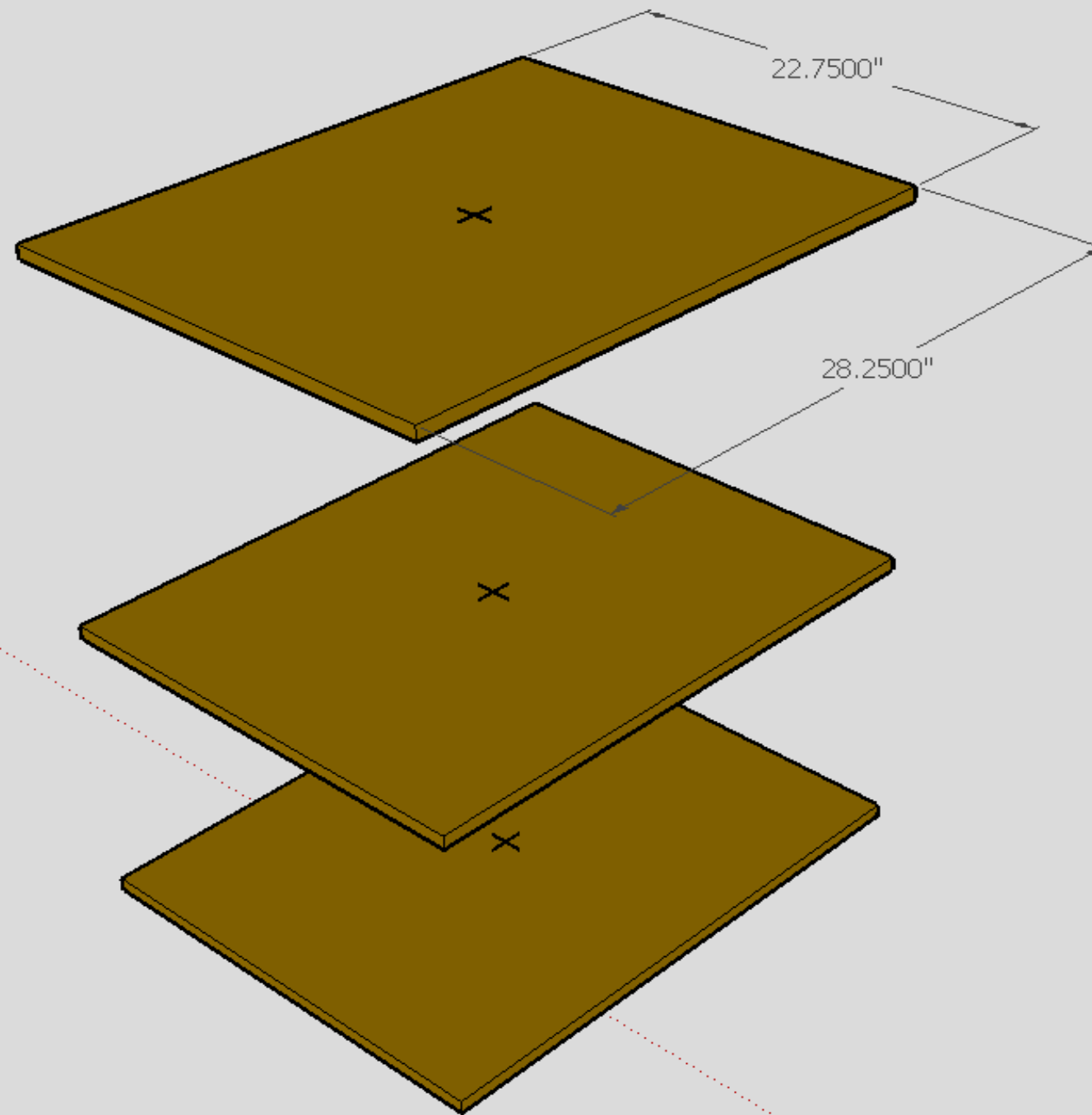
The wheels are to be 0.25" off the floor when the tool stand is sitting on the floor



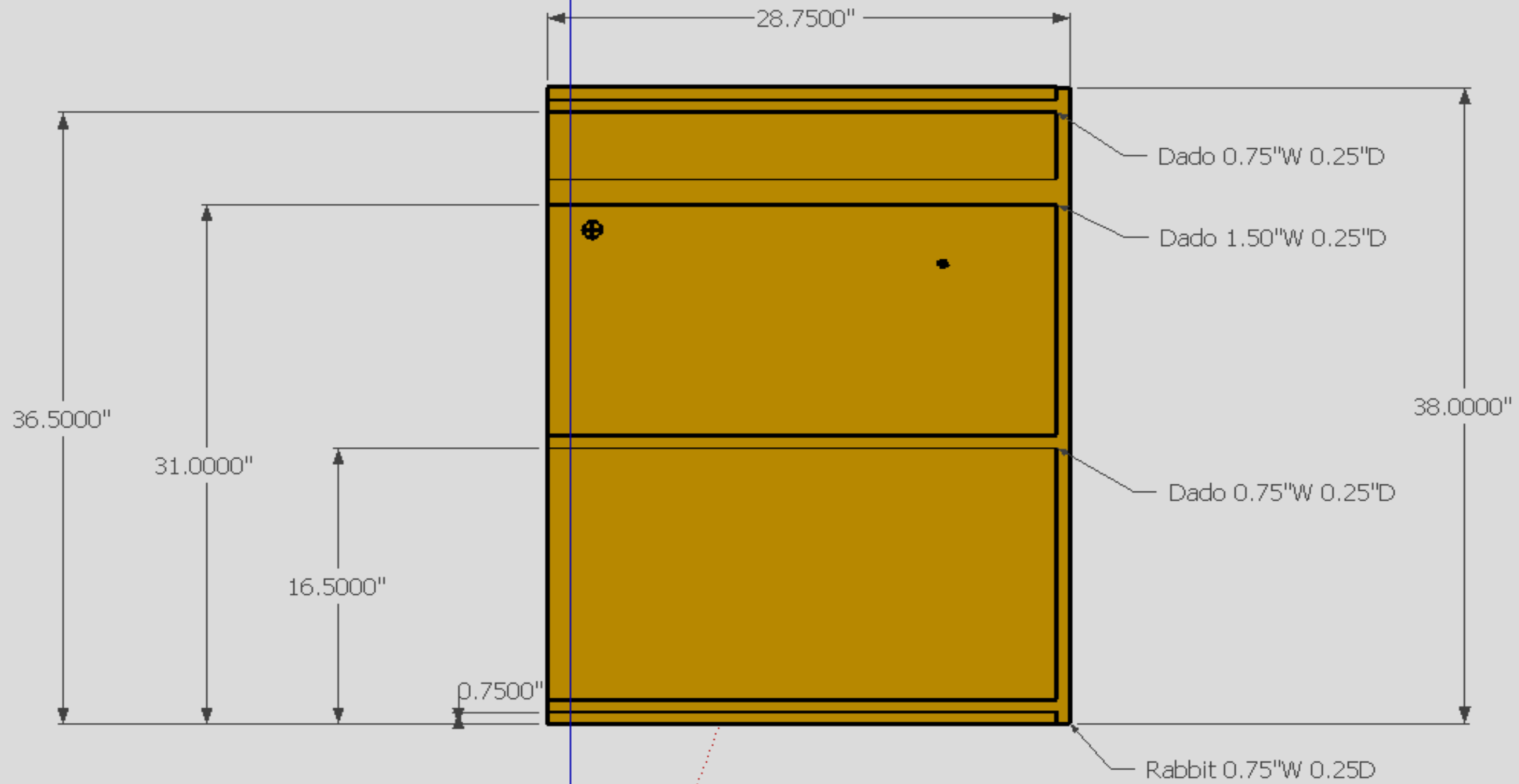
Front  
**Tool Stand**  
By GME  
04-22-2009  
Rev 0D



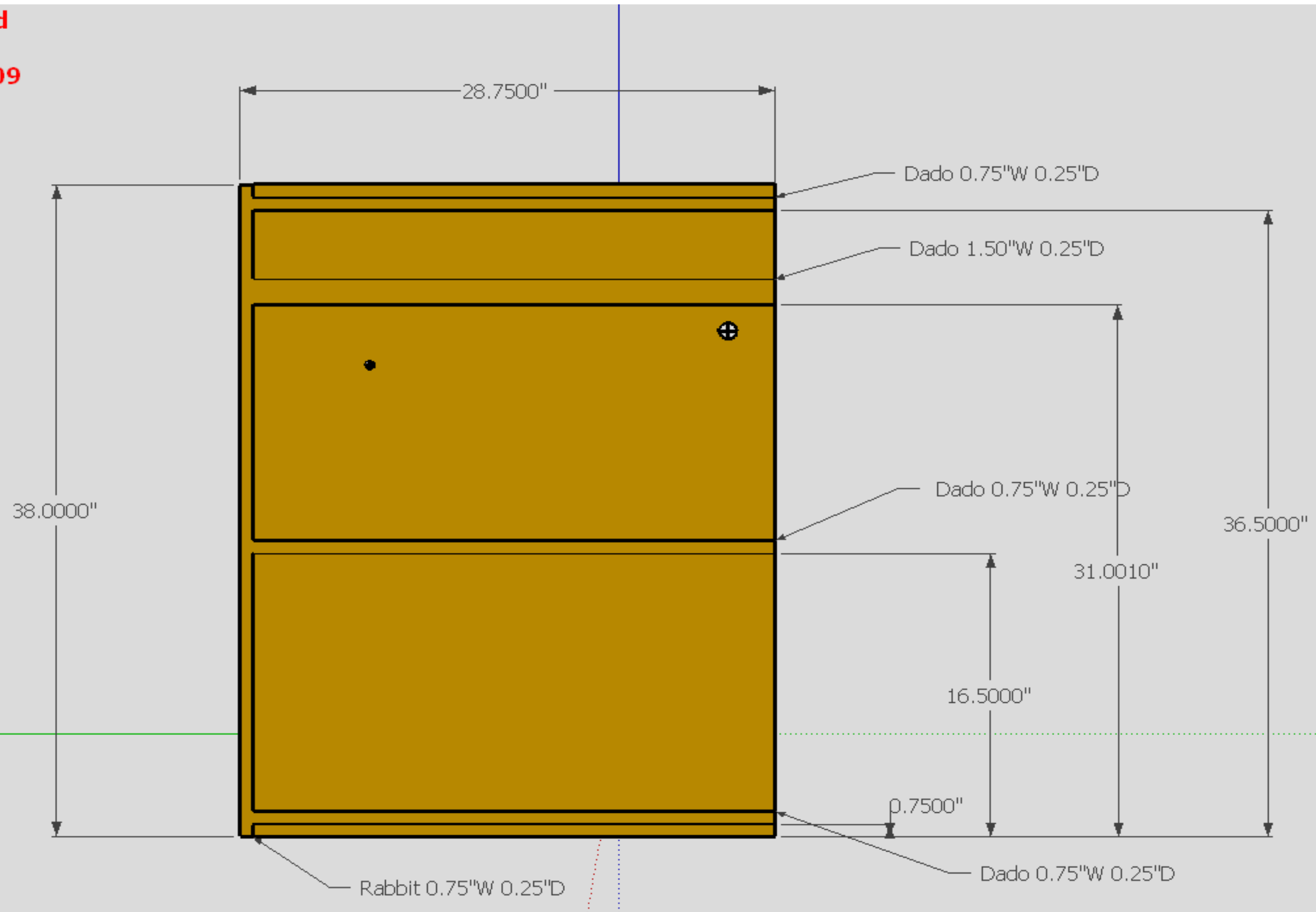
Tool Stand  
By GME  
04-22-2009  
Rev 0D

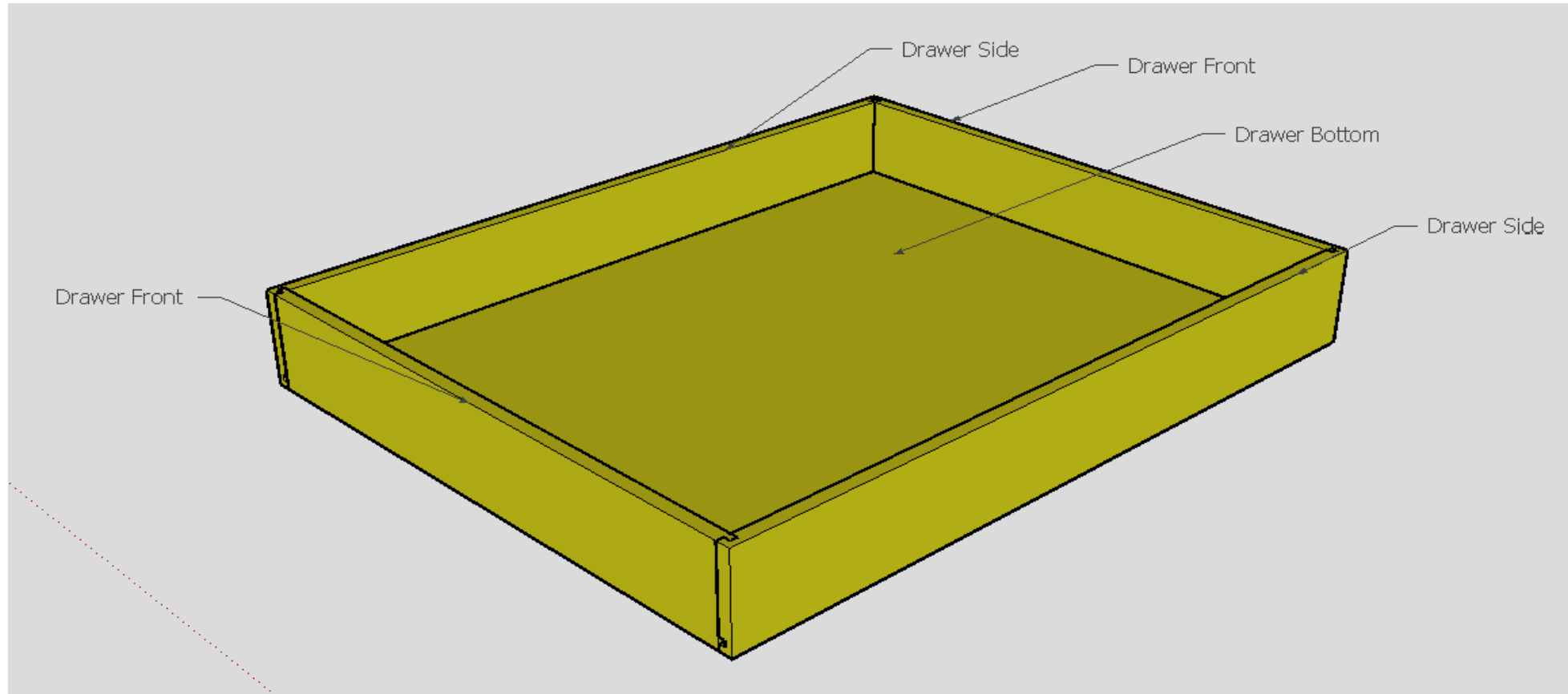


Right  
**Tool Stand**  
**By GME**  
**04-22-2009**  
**Rev 0D**

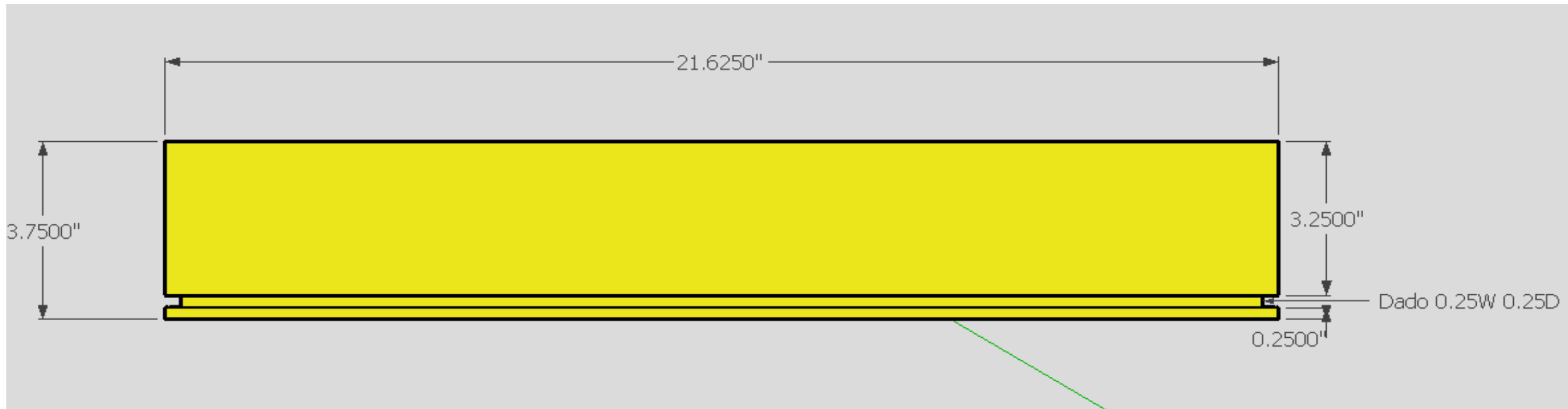


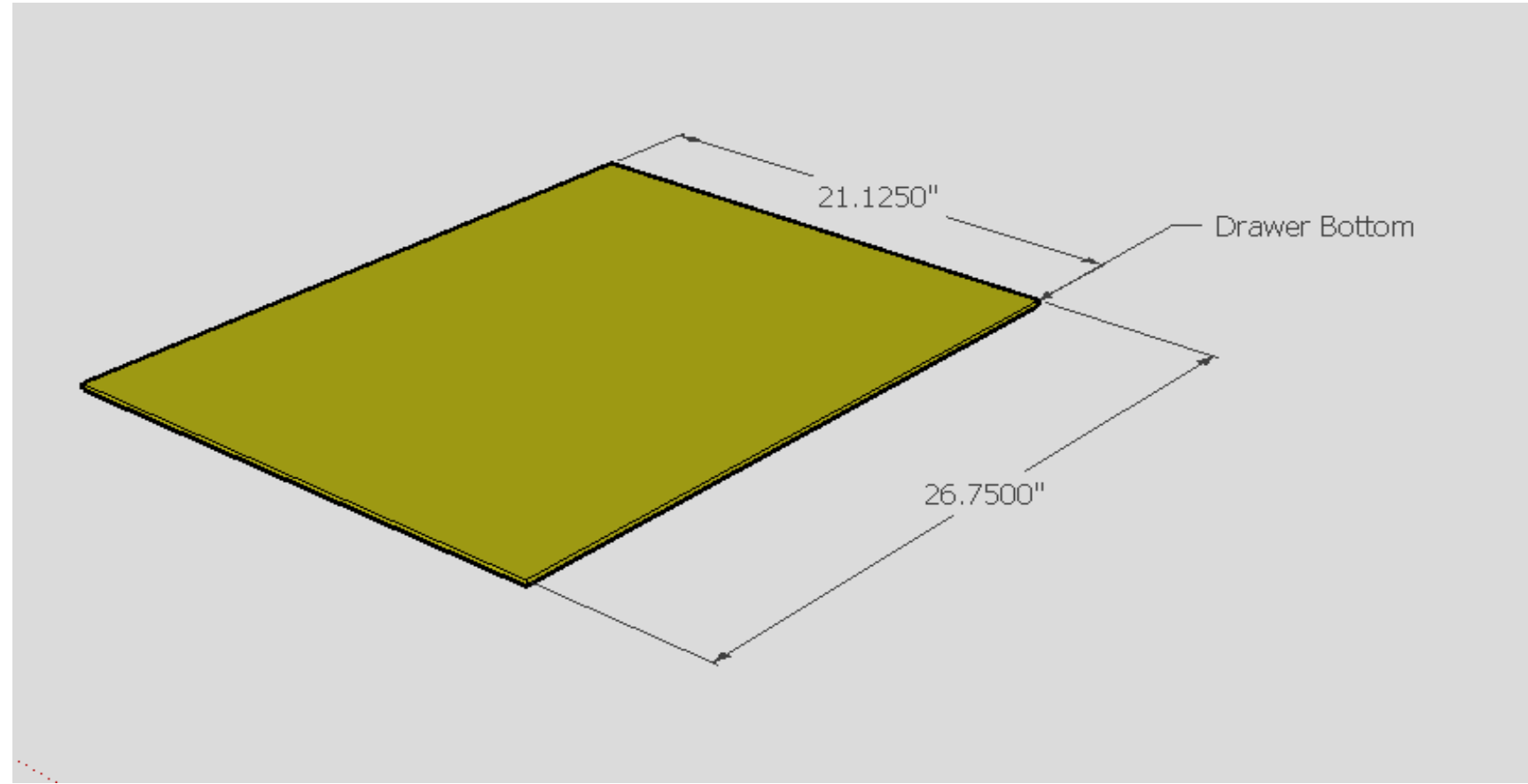
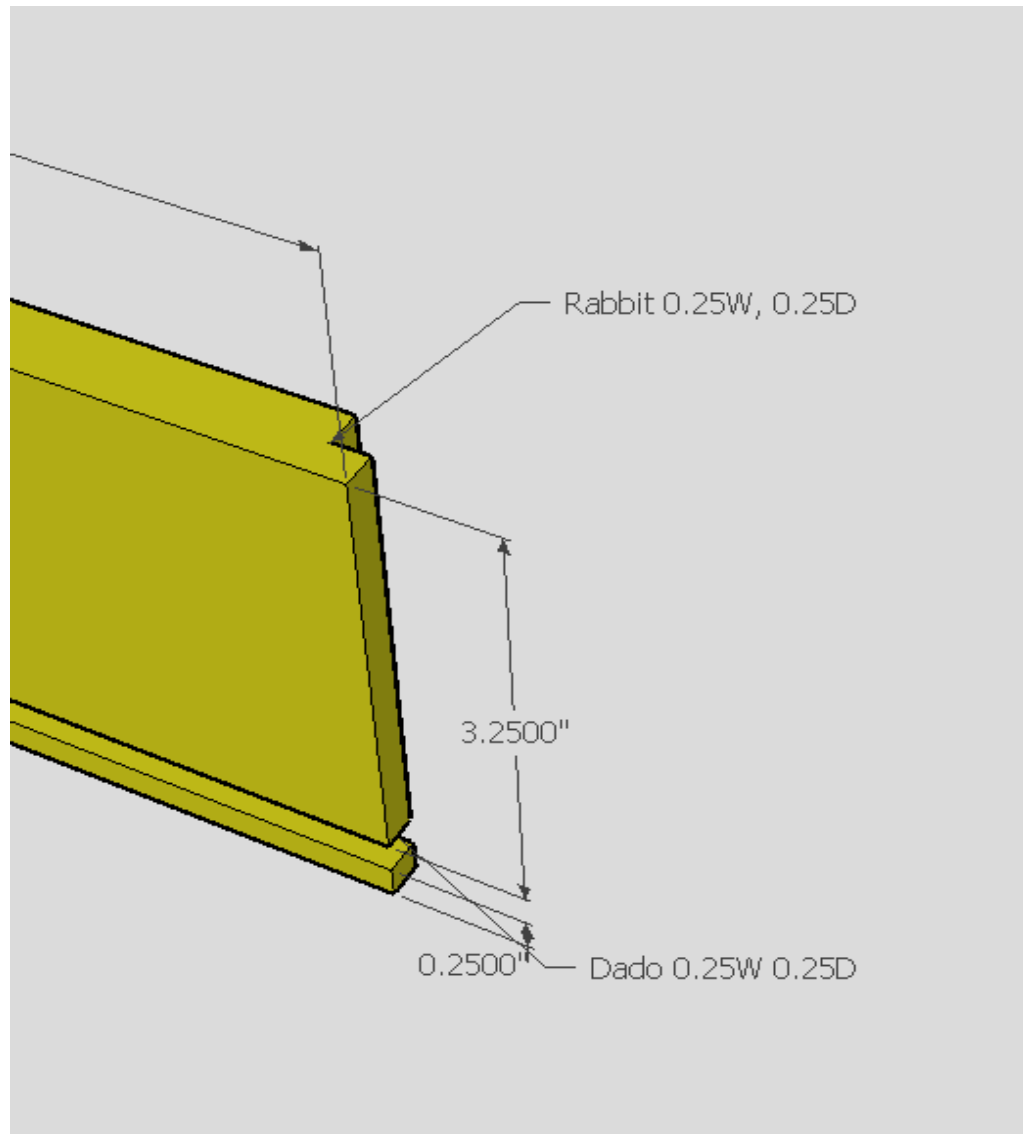
Left  
Tool Stand  
By GME  
04-22-2009  
Rev 0D



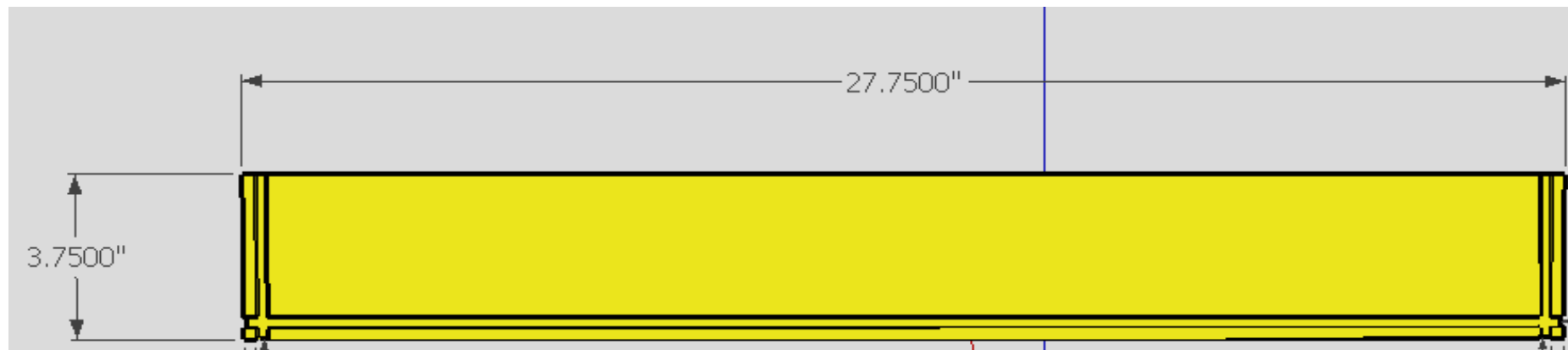


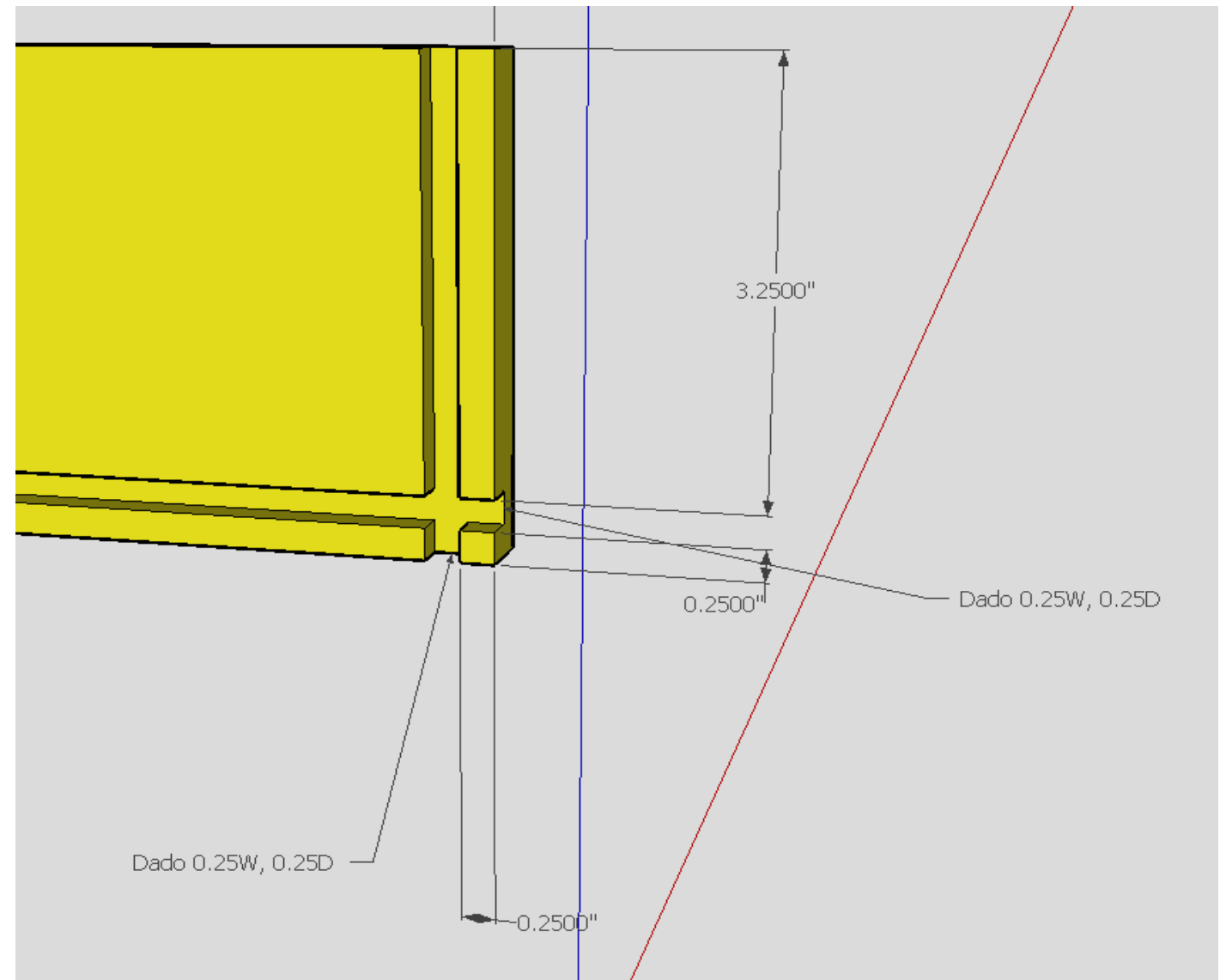
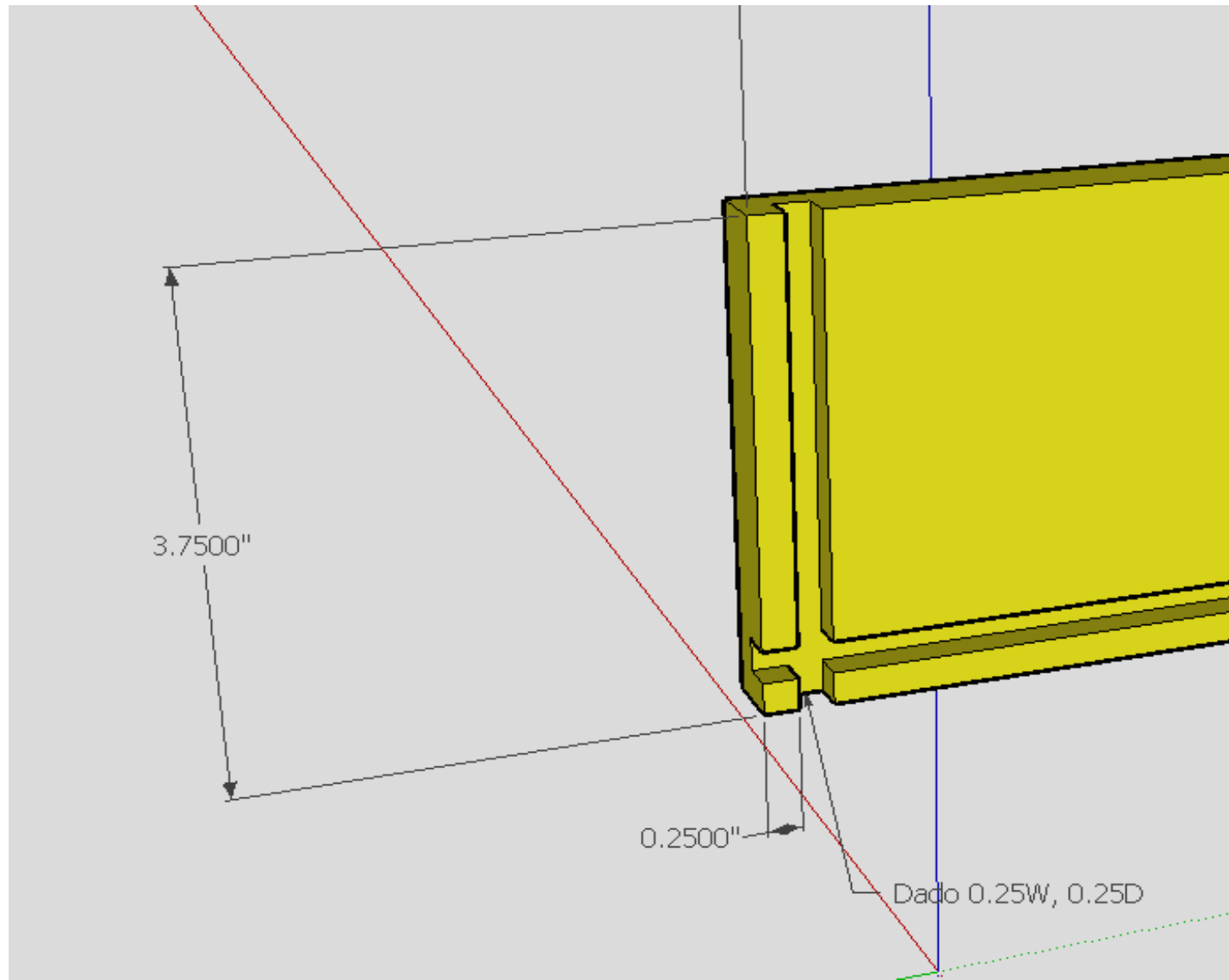
### Drawer Front and Back





### Drawer Sides





Tool Stand  
By GME  
04-22-2009  
Rev 0D

